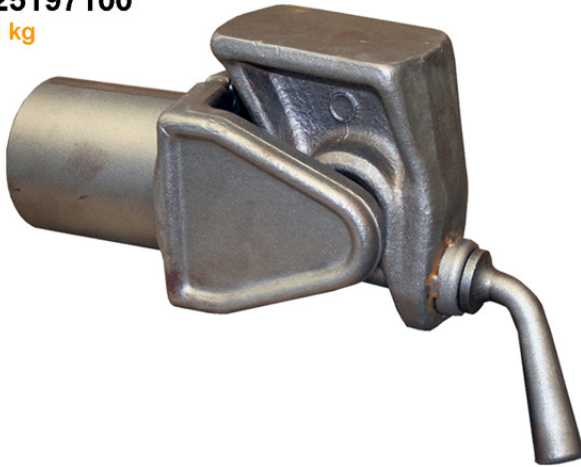


# Compressivo a forcella capacità 20 Ton. Three-way tipper fork set capacity 20 Tons.

Kit a forcella Portata max 20Ton.  
Complete fork set Load Cap. 20 Tons.

**Art. 25197100**

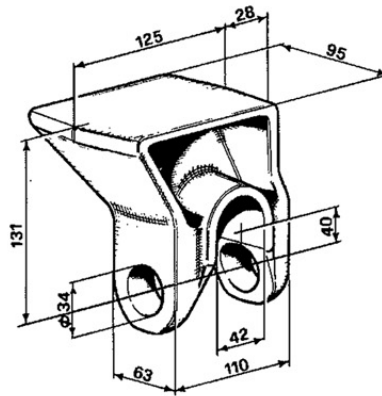
63,240 kg



Supporto pesante grezzo  
Raw heavy socket

**Art. 25197101**

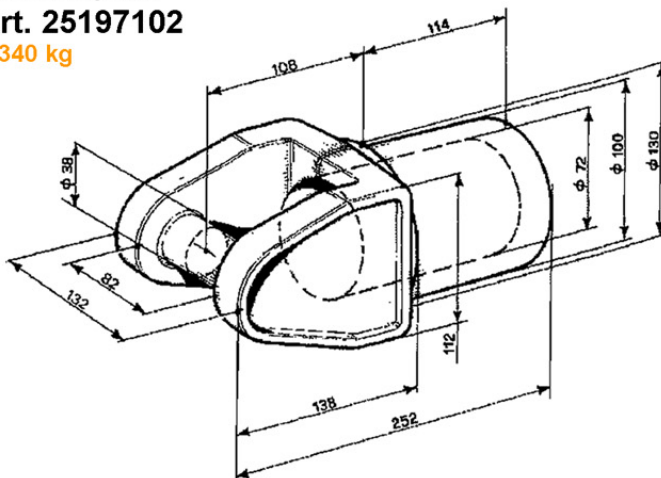
5,845 kg



Forcella pesante grezza  
Raw heavy fork

**Art. 25197102**

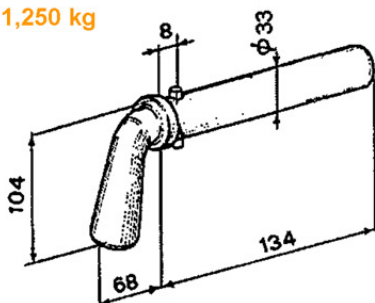
9,340 kg



Spina grezza 180°  
Raw 180° locking pin

**Art. 25197103**

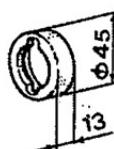
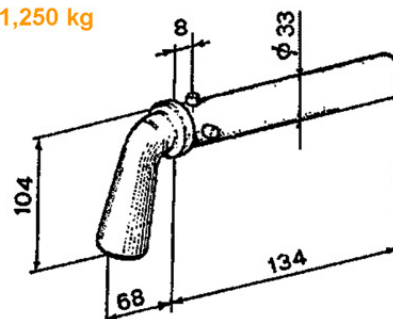
1,250 kg



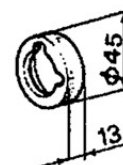
Spina grezza 90°  
Raw 90° locking pin

**Art. 25197104**

1,250 kg



Rondella 180°  
180° fluted plate  
**Art. 25197105**  
0,025kg



Rondella 90°  
90° fluted plate  
**Art. 25197106**  
0,025 kg