

Tenditori TR

TR Tensioners

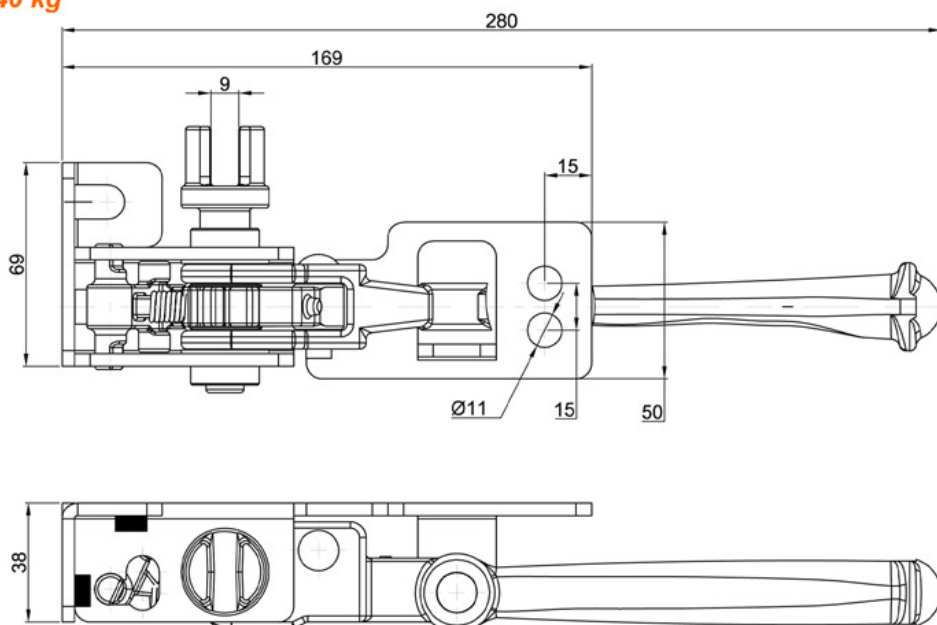
Tenditore TR in dacromet attacco a taglio Ø25
Dacromet TR curtain tensioner Ø25 cutting attachment

New Article

Art. 34480060 - Destro / Right

Art. 34480061 - Sinistro / Left

1,140 kg



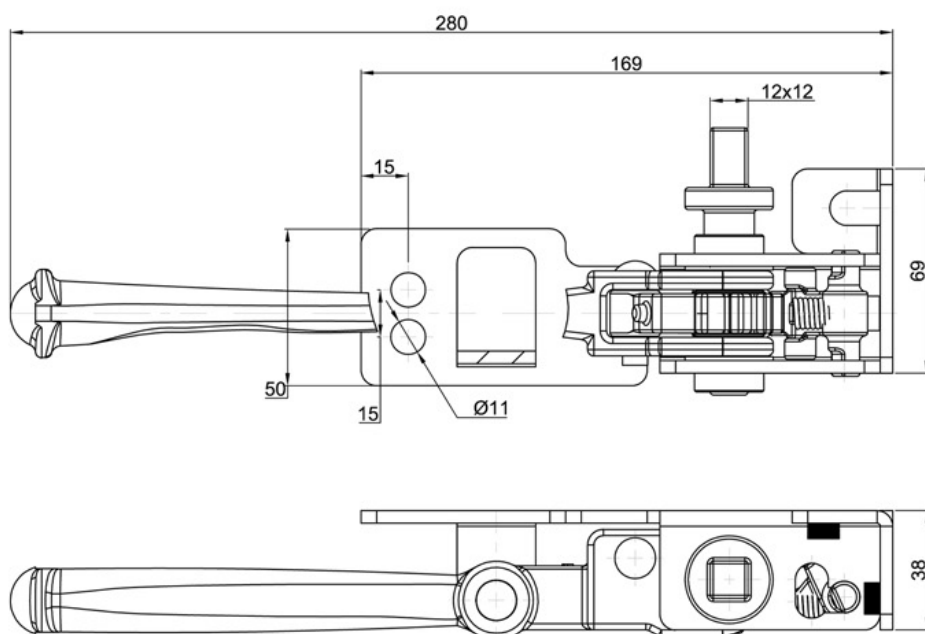
Sinistro / Left

Tenditore TR in dacromet attacco quadro 12x12
Dacromet TR curtain tensioner 12x12 square attachment

Art. 34480070 - Destro / Right

Art. 34480071 - Sinistro / Left

1,140 kg



Destro / Right